

**TOMORROW'S
MANUFACTURING
LEADERSHIP
TODAY**

Technical Bulletin

Bulletin Number: 377 Revision Number: R-06
Release Date: Dec. 2, 1988 Revision Date: June 30, 1992

SUBJECT: Shimless Stack Shimming And Adjustment Instructions

REASON: To introduce a vender with a stack which requires no shims for 12oz. can or 10oz. *PLB.

MODELS: All 1-1/4" Deeper DNCB Shimless Stack Venders and 1-1/4" Deeper Series 90 Shimless Stack Venders.

BEGINNING SERIAL NUMBER: 0001-3098AN And Up

1. Venders will be shipped from the factory with no shims in the columns.
2. As shipped, no shims will be required for:
 - a. The 12oz. Can
 - b. The 10oz. *PLB bottle
3. As shipped, the rear spacers will be in position 19 for 12oz. cans.
To vend the 10oz. *PLB bottle, locate the rear spacers in position 23.
4. A. The discharge port is set for 12oz. cans, 10oz. *PLB, etc.
B. To vend the 10oz. returnable bottle reverse both the discharge member and the closure strip.
5. When the 10oz. *PLB bottle is used, load the bottles crown to the rear.

SHIMLESS STACK IDENTIFICATION: An identification label will be affixed to the Sold Out Switch Cover of Pre-Series 90 venders and to the motor cover of Series 90 venders.

FIELD TEST SHIMLESS

STACK VENDERS:	DNCB440CC/252-7	2001-3065 to 2050-3065 and 3438-3069CM
	DNCB440MC/252-8	2313-3050 to 2362-3050 and 0820-3069CM

***NOTE:** PLB stands for Pre-Labeled Bottle (glass).

USE THIS CHART TO "SET-UP" and "SHIM" THE "SHIMLESS STACK" MODEL VENDER.

SERIES 90, BEGINNING S/N 0001-3162AO & UP (EXCEPT RUN NUMBERS 3164AO, 3166AO & 3167AO)

PRE-SERIES 90, BEGINNING S/N 0001-3098AN to 0001-3162AO (EXCEPT 1954-3161 TO 2003-3161 & 2656-3161 TO 2750-3161) (INCLUDES RUN NUMBERS 3164AO, 3166AO & 3167AO)

KIT #	LOADING DEPTH	PACKAGE	WIDE COLUMNS				ALL COLUMNS	NARROW COLUMNS					
			CAN RETAINER	SHIMS PER COLUMN	CAM SETTING	CAM FOR MOTOR	REAR SPACER LOCATION	SHIMS PER COLUMN	ROD IN	ROD IN	CAM SETTING	DIVIDER ANGLE	SCREWS
	2	12 oz CAN	1 PER COLUMN	0	4 NOTCHES	0	HOLE 19	0	-	-	#3	0	0
	2	10 oz NR PLB (GLASS BOTTLE)	0	0	4 NOTCHES	0	HOLE 23	0	-	-	#3	0	0
1	2	10 oz RIMLESS CAN (1/2 LITER)	1 PER COLUMN	4 BLACK, 2 GRAY	4 NOTCHES	0	HOLE 18	1 CAN STOP SHIM RIGHT SIDE	B	-	#3	0	0
2	1	10 oz COKE & DIET COKE RETURNABLE BOTTLES	0	4 BLACK, 2 GRAY	2 NOTCHES	0	HOLE 18	1 RIGHT FORMED, 4 FLAT SHIMS RIGHT SIDE	A@	C@	#4	0	0
		10 oz TAB, DR. PEPPER & DIET DR. PEPPER RETURNABLE BOTTLES	0	4 BLACK, 2 GRAY	2 NOTCHES	0	HOLE 18	1 RIGHT FORMED, 4 FLAT SHIMS RIGHT SIDE	REAR A	FRONT C+	#4	0	0
		10 oz SPRITE, FANTA, PEPSI, DIET PEPSI, 7-UP, & DIET RITE COLA RETURNABLE BOTTLES	0	4 BLACK, 2 GRAY	2 NOTCHES	0	HOLE 18	1 RIGHT FORMED, 4 FLAT SHIMS RIGHT SIDE	A*	C	#4	0	0
		10 oz ROYAL CROWN COLA RETURNABLE BOTTLE	0	4 BLACK, 2 GRAY	2 NOTCHES	0	HOLE 18	1 RIGHT FORMED, 4 FLAT SHIMS RIGHT SIDE	A	C	#4	0	0
3	1	16 oz CAN	0	SEE KIT CONTENTS	2 NOTCHES	0	HOLE 9	0 SHIMS, 1 SOLD OUT PADDLE C231,070,170.53	-	-	#4	0	0
4	1	12 oz COKE RETURNABLE BOTTLES	0	SEE KIT CONTENTS	2 NOTCHES	0	HOLE 18	DO NOT VEND IN NARROW COLUMNS				0	0

SB 377
Page 2 of 8

@, * AND + SEE PAGE 4

USE THIS CHART TO "SET-UP" and "SHIM" THE "SHIMLESS STACK" MODEL VENDER.

SERIES 90, BEGINNING S/N 0001-3162AO & UP (EXCEPT RUN NUMBERS 3164AO, 3166AO & 3167AO)

PRE-SERIES 90, BEGINNING S/N 0001-3098AN to 0001-3162AO (EXCEPT 1954-3161 TO 2003-3161 & 2656-3161 TO 2750-3161) (INCLUDES RUN NUMBERS 3164AO, 3166AO & 3167AO)

KIT #	LOADING DEPTH	PACKAGE	WIDE COLUMNS				ALL COLUMNS	NARROW COLUMNS					
			CAN RETAINER	SHIMS PER COLUMN	CAM SETTING	CAM FOR MOTOR	REAR SPACER LOCATION	SHIMS PER COLUMN	ROD IN	ROD IN	CAM SETTING	DIVIDER ANGLE	SCREWS
5	2	10 oz PLB SPECIALS WIDE MOUTH JUICE BOTTLES VERY FINE, FARMFIELD, LINCOLN, JUICE BOWL & MOTTS	0	1 SPRING SHIM EACH SIDE, 1 SOLD OUT PADDLE 280,070,010.03	4 NOTCHES	0	WIDE COLUMN HOLE 23 AT TOP, BOTTOM ALL THE WAY BACK BEYOND HOLES. NARROW COLUMN HOLE 23	0	-	-	#3	0	0
6	2	10 oz PLB SPECIAL WIDE MOUTH JUICE BOTTLE FRESH and PURE	0	1 GRAY EACH SIDE	4 NOTCHES	0	SAME AS KIT 5	DO NOT VEND IN NARROW COLUMNS	-	-	-	0	0

@,* AND + SEE PAGE 4

1. Where the symbols *, + and @ are used refer to the following:
(Use plastic tubing only where called out.)
 - * Where the symbol * appears on page 2 or page 3, place the 10-3/4" long (9/32" ID 3/8" OD) yellow plastic tube over the rod.
 - + Where the + appears on page 2 or page 3, place the 10-3/4" long (9/32" ID 7/16" OD) red plastic tube over the rod.
 - @ Where the @ appears on page 2 or page 3, place the 10-3/4" long (9/32" ID 17/32" OD) white plastic tube over the rod.
2. Where Rear A/Front C appears on page 2 or page 3, it means the rod is installed (spring end first) in A (hole) at the rear of the vend rotor - the front end of the same rod is installed in C (hole) at the front of the vend rotor.

Kit 1

From Page 2 Consists Of:

Per Vender		Shim Kit					
5	6	6	8	10			
Standard Columns	Standard Columns	Column Dual	Column Dual	Column Dual			
0	0	3	4	0	B463,010,010.03	Can Stop Shim 6 & 8 10oz. Rimless Can	Narrow Column
0	0	0	0	9	B350,010,010.03	Can Stop Shim-10 10oz. Rimless Can	
0	0	3	4	9	267,012,300.03	Rod & Spring Assy.	
10	12	6	8	2	801,805,120.01	Thin Gray Shims	Wide Column
20	24	12	16	4	801,804,960.01	Flat Black Shim	

Kit 2

From Page 2 Consists Of:

Per Vender		Rod & Shim Kit					
5	6	6	8	10			
Standard Columns	Standard Columns	Column Dual	Column Dual	Column Dual			
20	24	12	16	4	801,804,960.01	Flat Black Shim	Wide Column
10	12	6	8	2	801,805,120.01	Thin Gray Shim	
0	0	3	4	9	801,805,230.01	Right Formed Shim	Narrow Column
0	0	12	16	36	901,303,630.11	Flat Shims	
0	0	6	8	18	267,012,300.03	Rod & Spring Assy.	
0	0	3	4	9	901,901,950.01	Tube-Yellow Plastic	
0	0	1	1	2	901,902,000.01	Tube-Red Plastic	
0	0	2	2	4	901,901,900.03	Tube-White Plastic	
1	1	1	1	1	901,000,190.02	Crown Puller	Per Vender
3	3	3	3	3	901,201,480.01	Screw (10-32 x 3/8)	
3	3	3	3	3	900,800,650.01	Nut	

Accessories: When ordering the Rod and Shim Kit above, also order a crown chute and a crown catcher if vender does not have them factory installed.

Kit 3

From Page 2 Consists Of:

Per Vender

Per Vender			Shim Kit		
5	6	6	8	10	
Standard Columns	Standard Columns	Column Dual	Column Dual	Column Dual	
1	1	1	1	1	801,805,120.01 Grey Shim For Right Side Of Extreme Right Column Only.
1	1	1	1	0	801,805,120.01 Grey Shim For Left Side Of Extreme Left Column Only.
5	6	6	8	10	*231,070,170.53 Sold Out Paddle

* **IMPORTANT:** For Pre-Series 90 Venders Only.

Kit 4

From Page 2 Consists Of:

Per Vender

Per Vender			Shim Kit		
5	6	6	8	10	
Standard Columns	Standard Columns	Column Dual	Column Dual	Column Dual	
1	1	1	1	1	801,805,120.01 Gray Shim For Right Side Of Extreme Right Column Only.
1	1	1	1	0	801,805,120.01 Gray Shim For Left Side Of Extreme Left Column Only.

Kit 5

From Page 3 Consists Of:

Per Vender

Per Vender			Shim Kit		
5	6	6	8	10	
Standard Columns	Standard Columns	Column Dual	Column Dual	Column Dual	
5	6	3	4	1	B4090.06 Right Spring Shim
5	6	3	4	1	B4080.06 Left Spring Shim
5	6	3	4	1	*280,070,010.03 Sold Out Paddle

* **IMPORTANT:** For Pre-Series 90 Venders Only.

The shims and rods shown here are for reference only, i.e., to identify these parts. Refer to the chart on pages 2 and 3 for the shims and rods required per column, for vend cam adjustment on vend motors for both wide and narrow columns for different product vending.

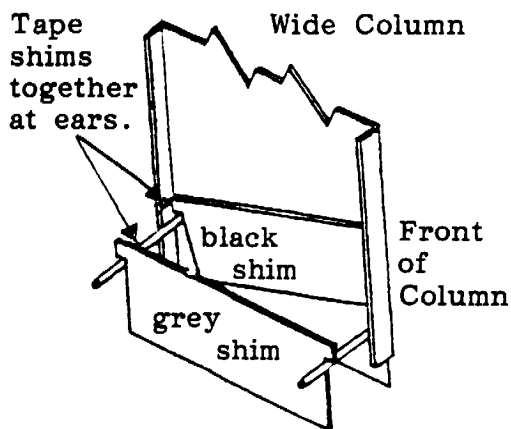
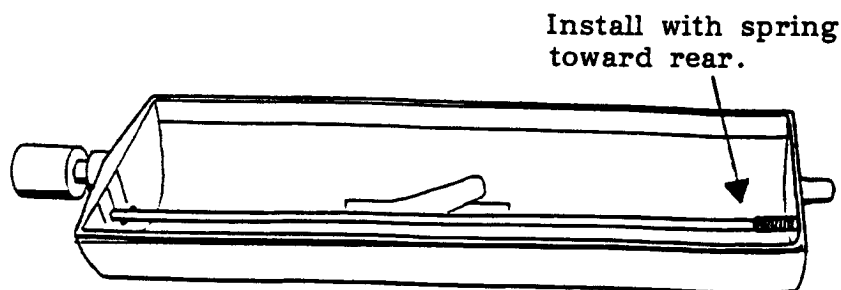
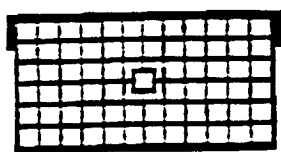


Figure 1



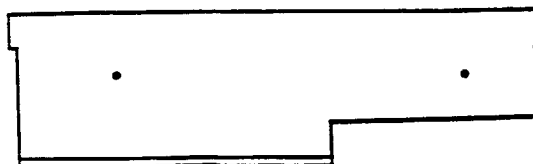
Rotor
#801,201,210.01
Rod & Spring Assembly
#267,012,300.03

Figure 2



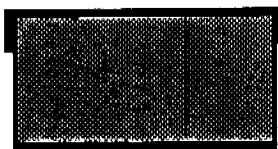
Black Shim
#801,804,960.01

Figure 3



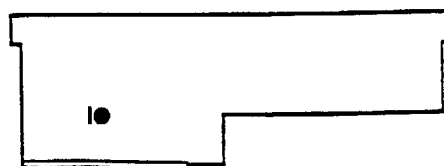
10oz. Can Shim (rimless)
6 & 8 Column Venders
#463,010,010.03

Figure 4



Grey Shim
#801,805,120.01

Figure 5



10oz. Can Shim (rimless)
10 Column Venders
#350,010,010.03

Figure 6

REAR SPACER ADJUSTMENT HOLES LOCATED IN THE SIDEWALLS OF THE STACKS.

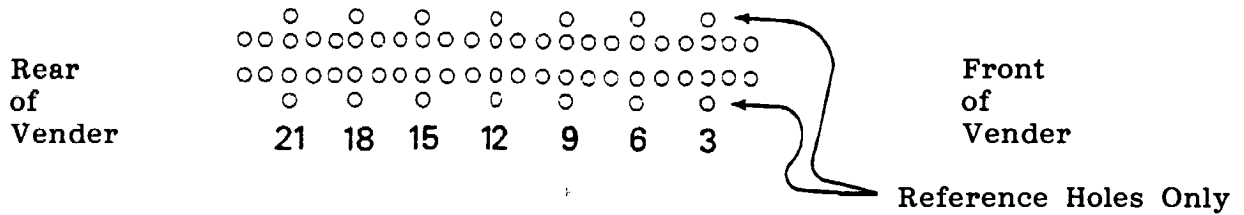
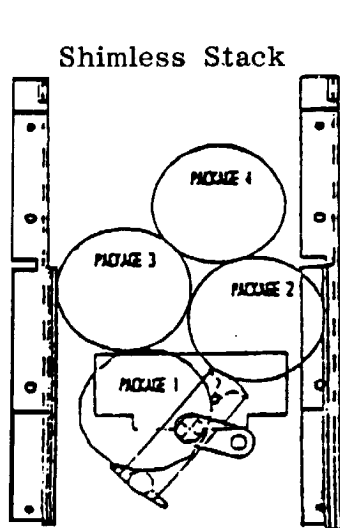


Figure 7

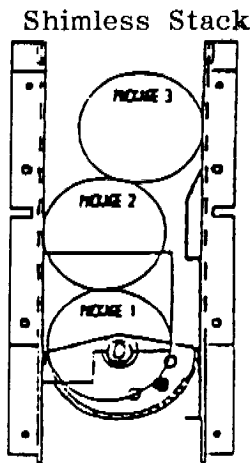


WIDE COLUMN
PACKAGE LOADING

- A. Position oscillator as shown. Load packages number 1, 2, 3, & 4 as shown in the front and rear. Front and rear must be loaded evenly.

IMPORTANT: When vending bottles, load bottles with caps toward the rear of vender. When a column is sold out, load first 2 bottles heel down, and crown up at approximately 45 degrees. Then release the bottle to lay in a horizontal position.

Figure 8



NARROW COLUMN
PACKING LOADING

- A. Position rotor as shown. Load packages 1, 2, and 3 as shown, in both the front and rear of the column. Front and rear must be loaded evenly.

IMPORTANT: When using bottles, load bottles with caps toward the rear.

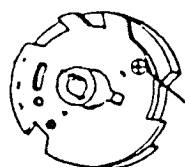
Figure 9

MODELS: DNCB 1-1/4" Shimless Stack and DNCB 1-1/4" Series 90 Shimless Stack Venders

SUBJECT: Cam Adjustment On Narrow Column Vend Motors

1. For packages that can be vended double depth, secure the screw in the adjustable cam at position #3, Figure 1, or for Series 90 venders rotate cam to position #3, Figure 2.
2. For packages that must be vended single depth, secure the screw in the adjustable cam at position #4, Figure 1, or for Series 90 venders rotate cam to position #4, Figure 2.
3. If when vending the 10oz. PLB in the Narrow Column, the need arises for the vend motor to run longer, secure the screw in the adjustable cam at position #2, Figure 1, or for Series 90 venders rotate cam to position #2, Figure 2.

Pre-Series 90



Adjustment
Screw

Figure 1

Series 90

Lift
Tab

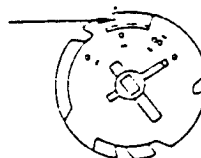


Figure 2

MODELS: DNCB 1-1/4" and DNCB 1-1/4" Series 90

SUBJECT: Cam Adjustment on Wide Column Vend Motors

SETTING: Set at 2 notches - For Single Depth Package
Set at 4 notches - For Double Depth Package
(See Figure 3 or for Series 90 venders see Figure 4.)

Pre-Series 90

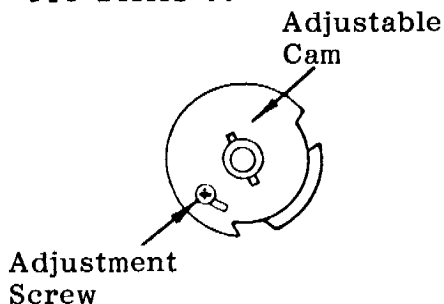


Figure 3

Series 90

Lift
Tab

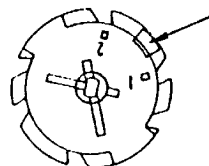


Figure 4